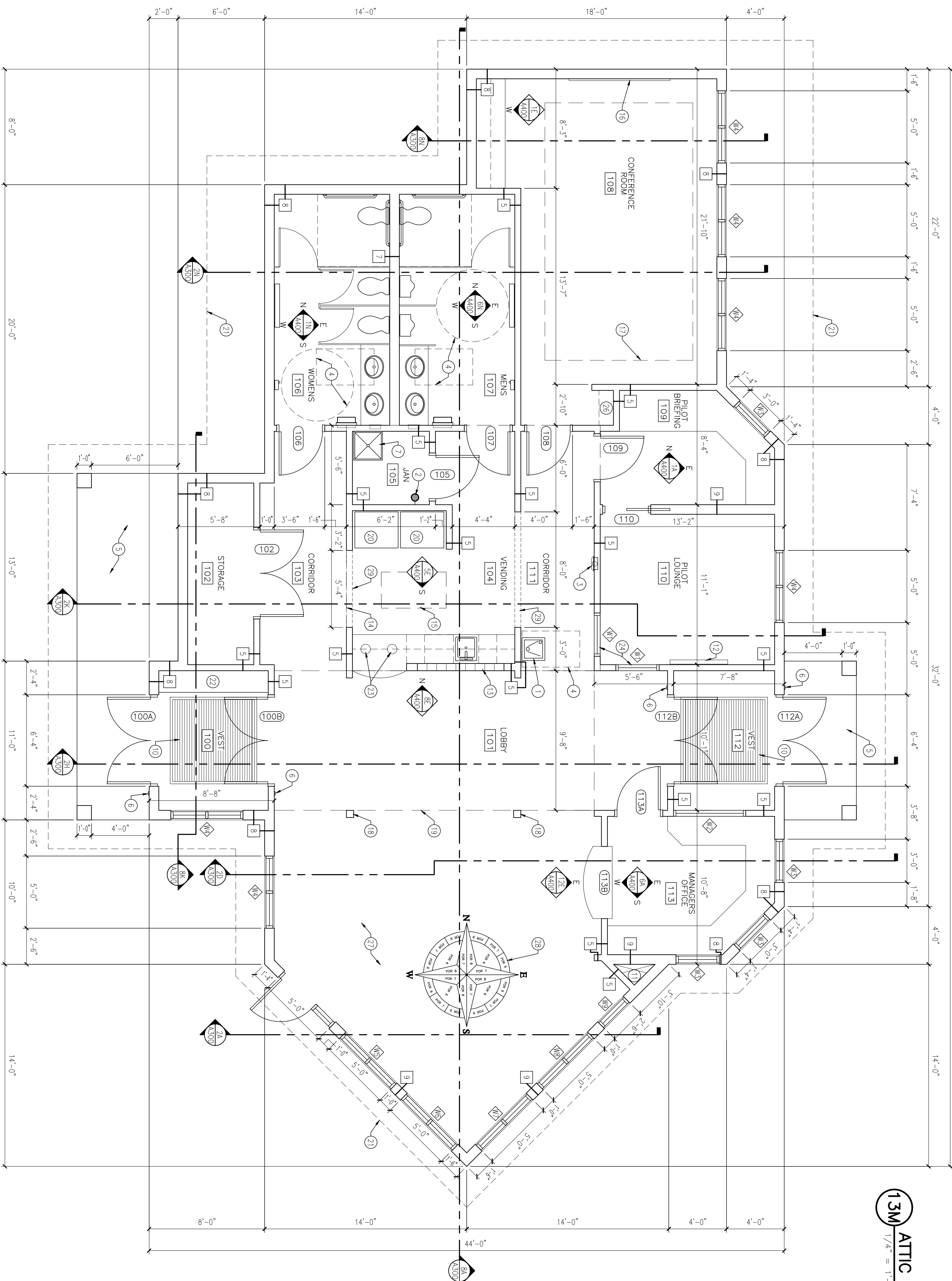
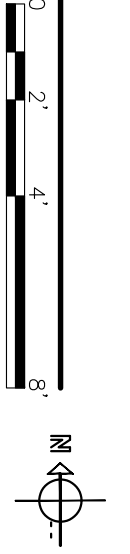
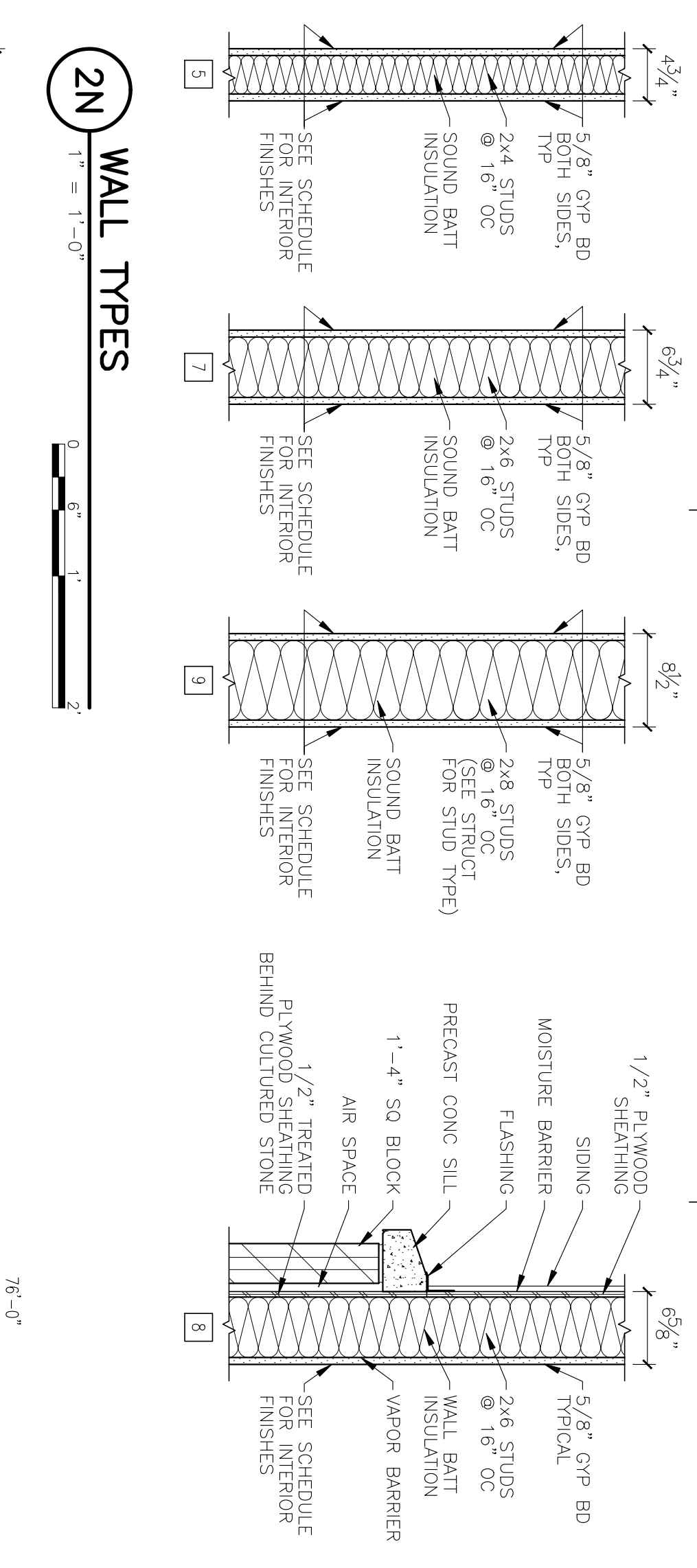
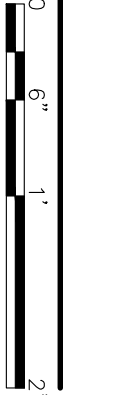


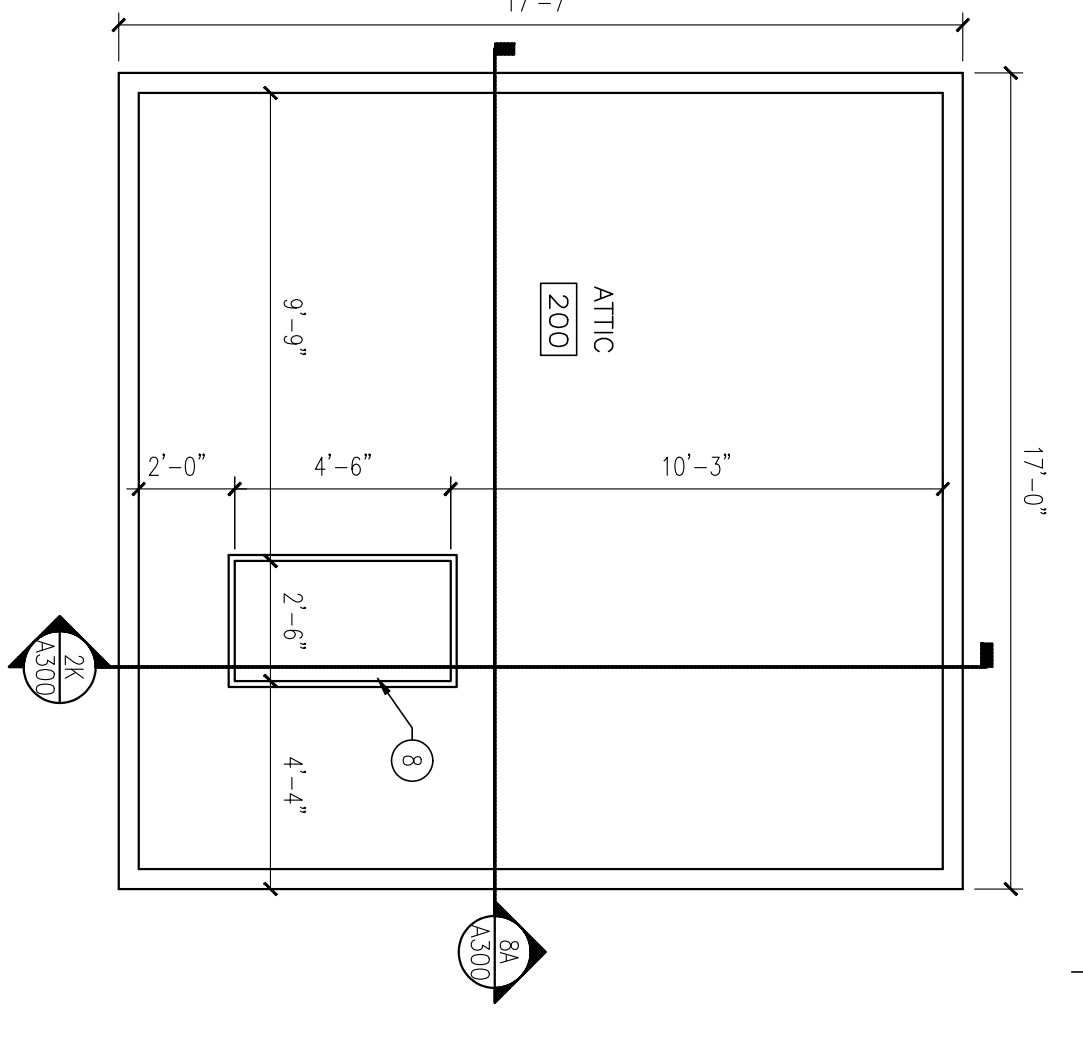
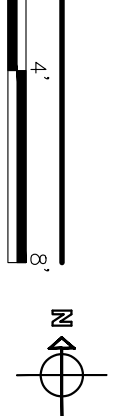
2A FLOOR PLAN



2N WALL TYPES



13M ATTIC FLOOR PLAN



CONSTRUCTION NOTES

- 1.) ELECTRIC WATER COOLER (SEE --/A400)
- 2.) WALL MOUNTED FIRE EXTINGUISHER (SEE --/A400)
- 3.) RECESSED CABINET STYLE FIRE EXTINGUISHER (SEE --/A400)
- 4.) DASHED LINE IN RESTROOMS & AROUND EWC INDICATE REQUIRED FIXTURE CLEARANCE SPACES PER ANSI 117.1.
- 5.) REINFC CONC STOOP (SEE STRUCT)
- 6.) HANDICAP PUSH BUTTON DOOR OPERATOR. INSTALL PER ADA REQUIREMENTS.
- 7.) MOP SINK (SEE PLUMBING)
- 8.) PULL DOWN STAIR.
- 9.) PROVIDE CONC A/C UNITS (SEE MECH)
- 10.) 6'-0"x6'-0" RECESSED FLOOR MAT.
- 11.) CHASE.
- 12.) FLAT SCREEN TV N/C. GC TO PROVIDE ALL REQUIRED ELEC & CABLE HOOK UPS.
- 13.) GLASS BLOCK WALL (SEE --/A400)
- 14.) DASHED LINE INDICATES ATTIC SPACE ABOVE.
- 15.) DASHED LINE INDICATES PULL DOWN STAIR TO ATTIC SPACE ABOVE.
- 16.) RECESSED PROTECTION SCREEN BY OWNER. GC TO INSTALL & PROVIDE ALL REQUIRED HOOK-UPS. VERIFY SIZE W/ OWNER.
- 17.) SOFFIT LINE ABOVE (SEE BUILDING SECTION)
- 18.) COLUMN (SEE STRUCT)
- 19.) DASHED LINE INDICATES COFFERED CEILING ABOVE.
- 20.) VENDING MACHINES. N/C.
- 21.) OVERHANG.
- 22.) WOOD BENCH.
- 23.) OPENINGS IN COUNTER TOP TO RECYCLE BINS BELOW.
- 24.) ONE WAY MIRROR WINDOWS.
- 25.) ---
- 26.) COAT RACK (SEE --/A400)
- 27.) STAINED CONC FLOOR, TYPICAL.
- 28.) COMPASS.
- 29.) BULK HEAD.

GENERAL NOTES

- 1.) ALL OFFICE FURNITURE, EQUIPMENT & APPLIANCES BY OWNER.

ALTERNATES

- 1.) ---



Short Elliott Hendrickson Inc.
 421 Frenette Drive
 Chippewa Falls, WI 54729-3374
 715.720.6200 main | 715.720.6300 fax
 800.472.5881 toll free | www.sehinc.com

MENOMONIE AIRPORT TERMINAL
 MENOMONIE, WISCONSIN

SEH FILE NO. WIBOA 106410
 ISSUE DATE JAN 20, 2009
 DESIGNED BY RJS
 DRAWN BY KLL
 PROJECT MGR I

SHEET CONTENTS
 FLOOR PLAN
 WALL TYPES

A100