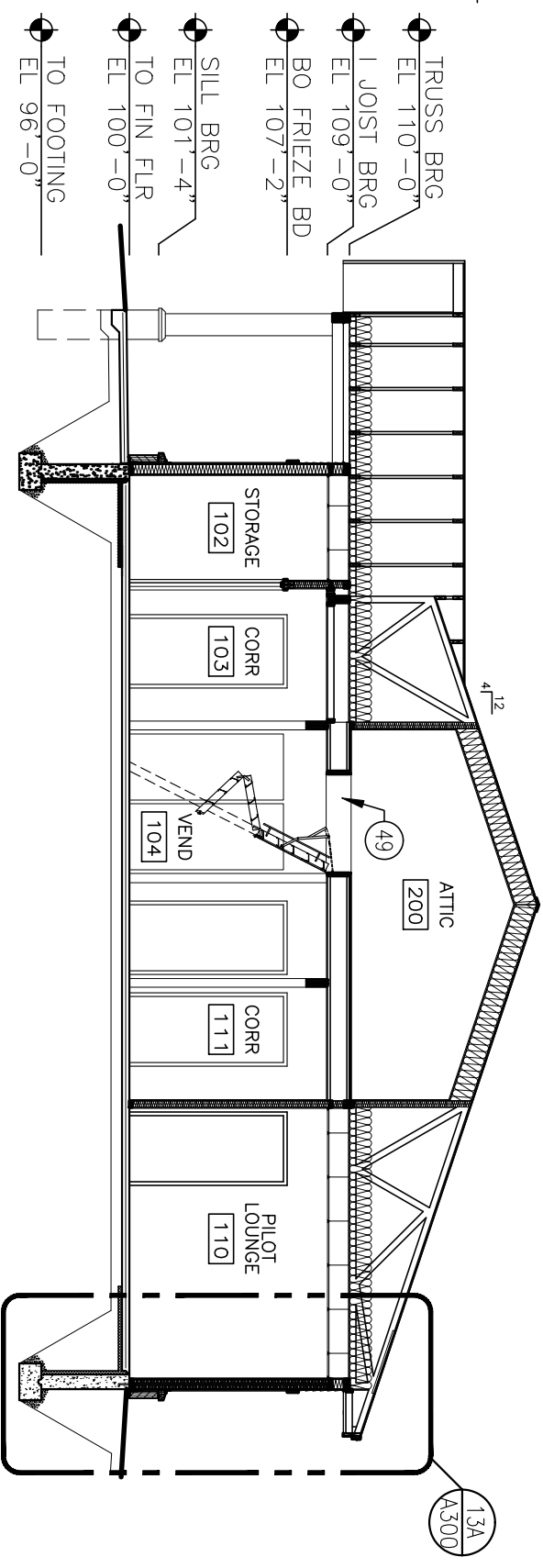
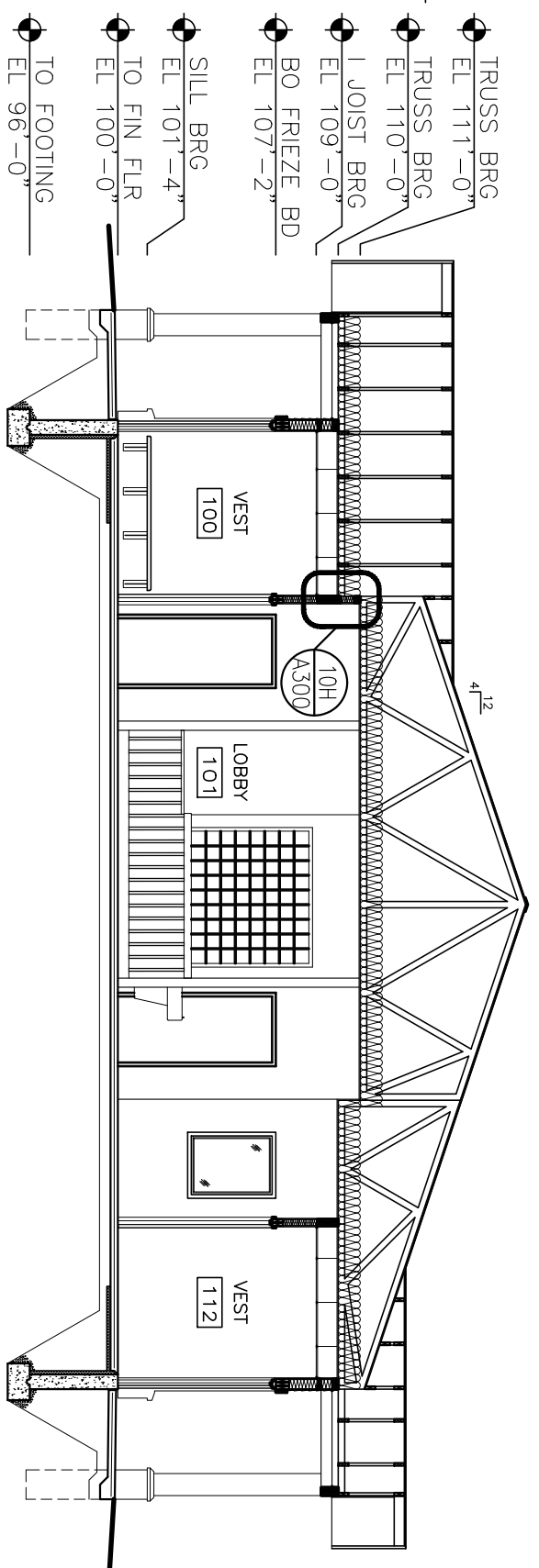


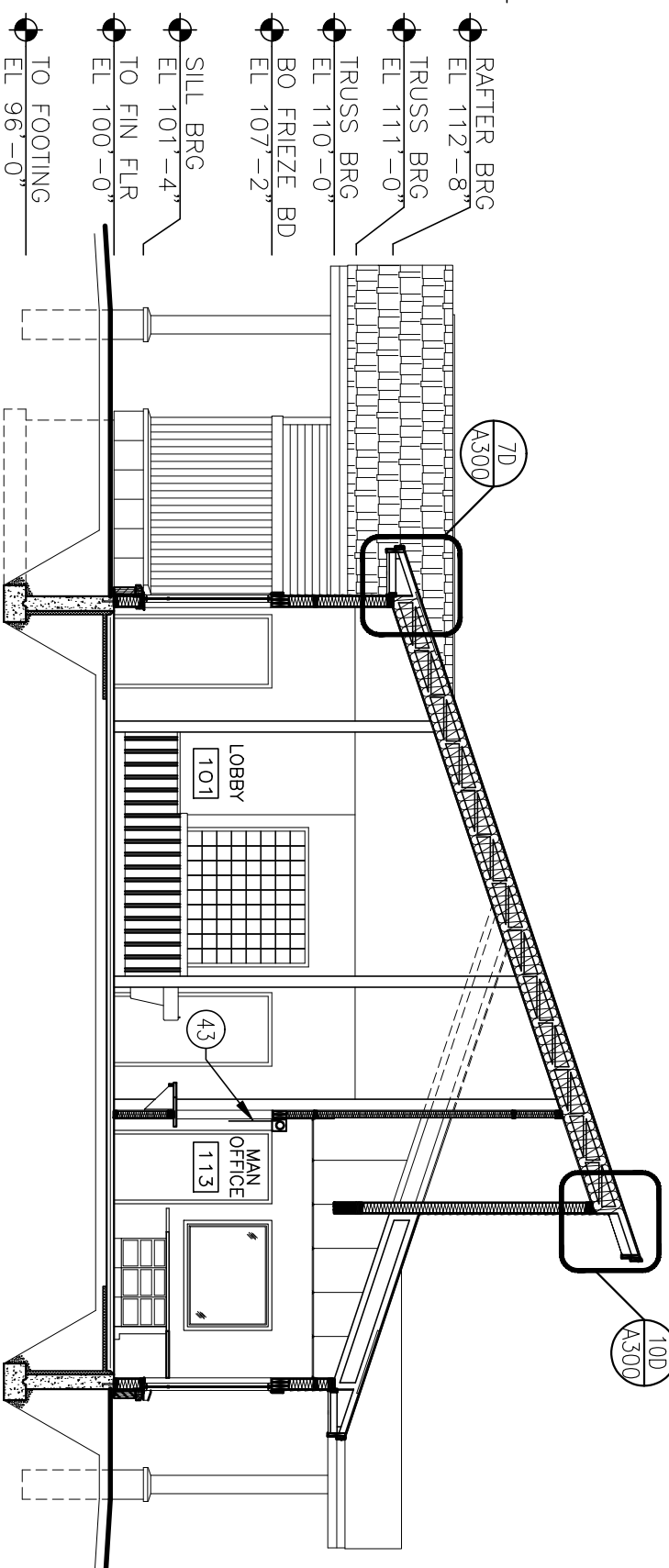
2N BUILDING SECTION
1/8" = 1'-0"
0 4 8 16



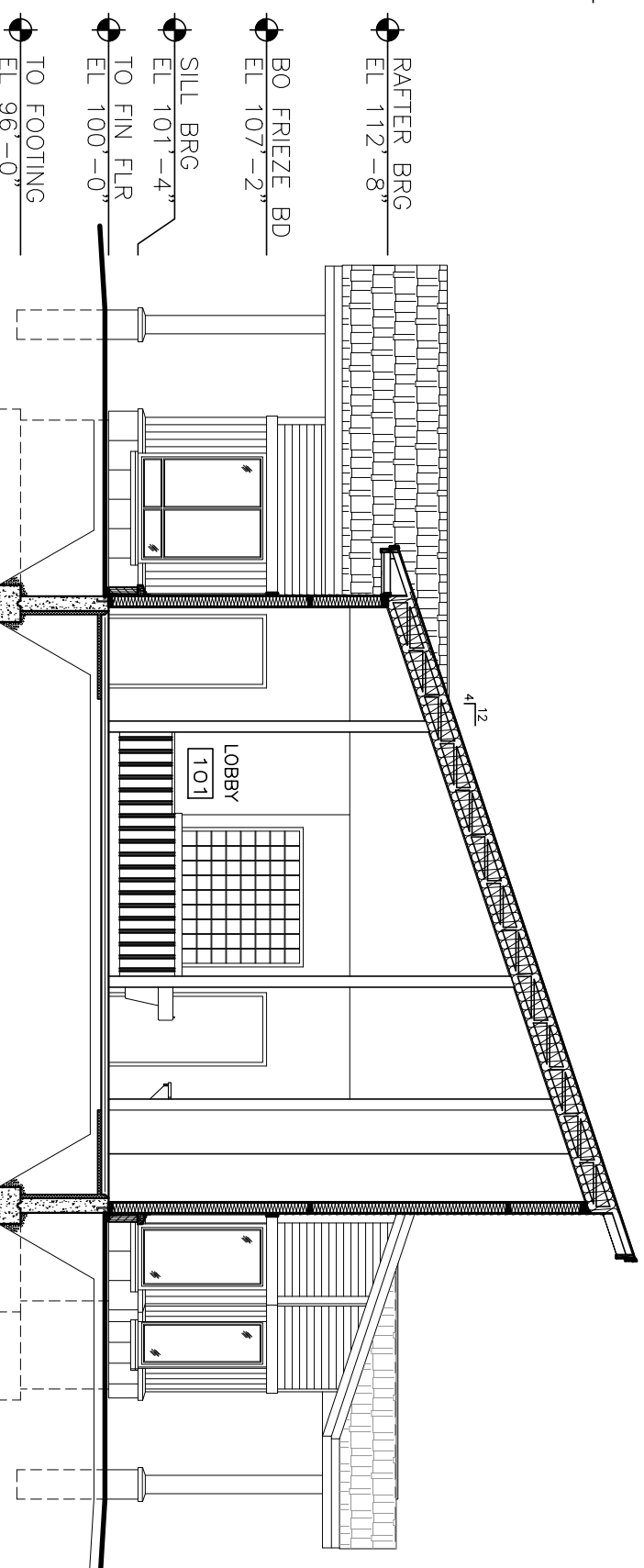
2K BUILDING SECTION
1/8" = 1'-0"
0 4 8 16



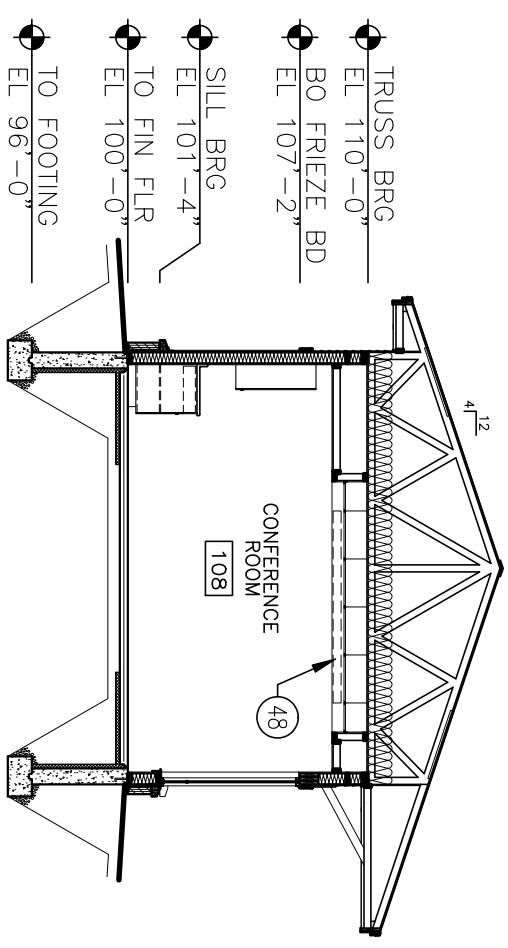
2H BUILDING SECTION
1/8" = 1'-0"
0 4 8 16



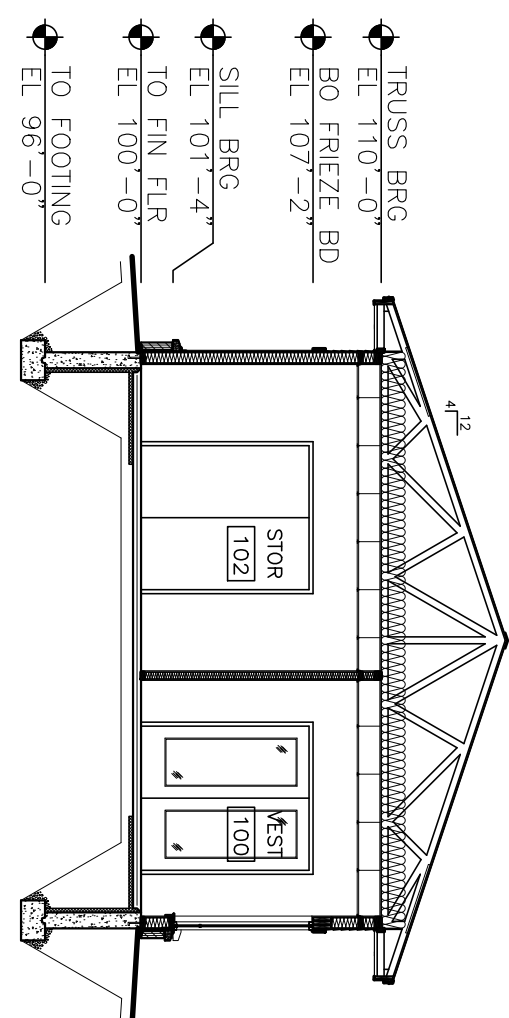
2D BUILDING SECTION
1/8" = 1'-0"
0 4 8 16



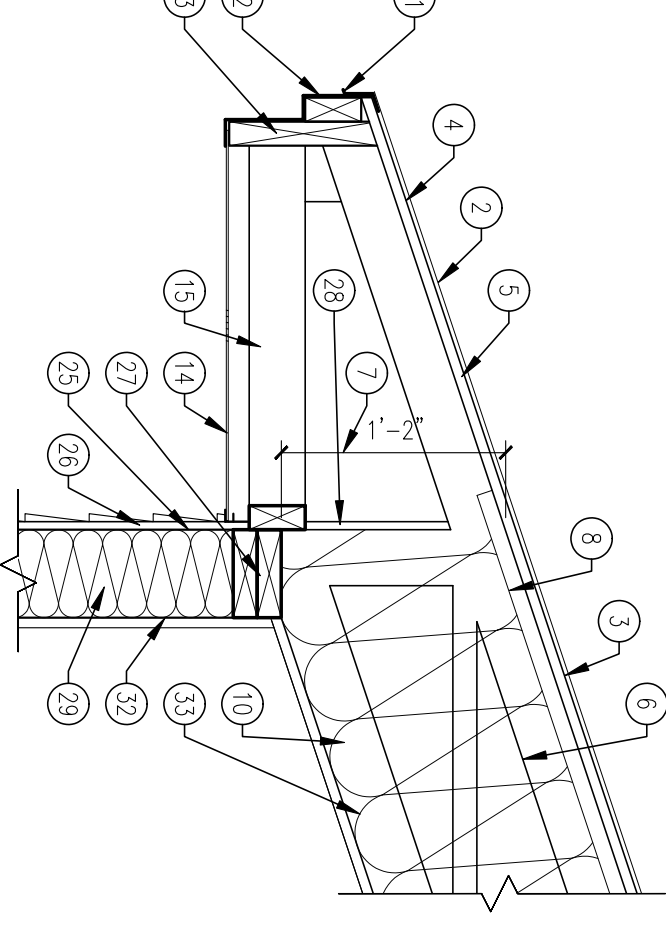
2A BUILDING SECTION
1/8" = 1'-0"
0 4 8 16



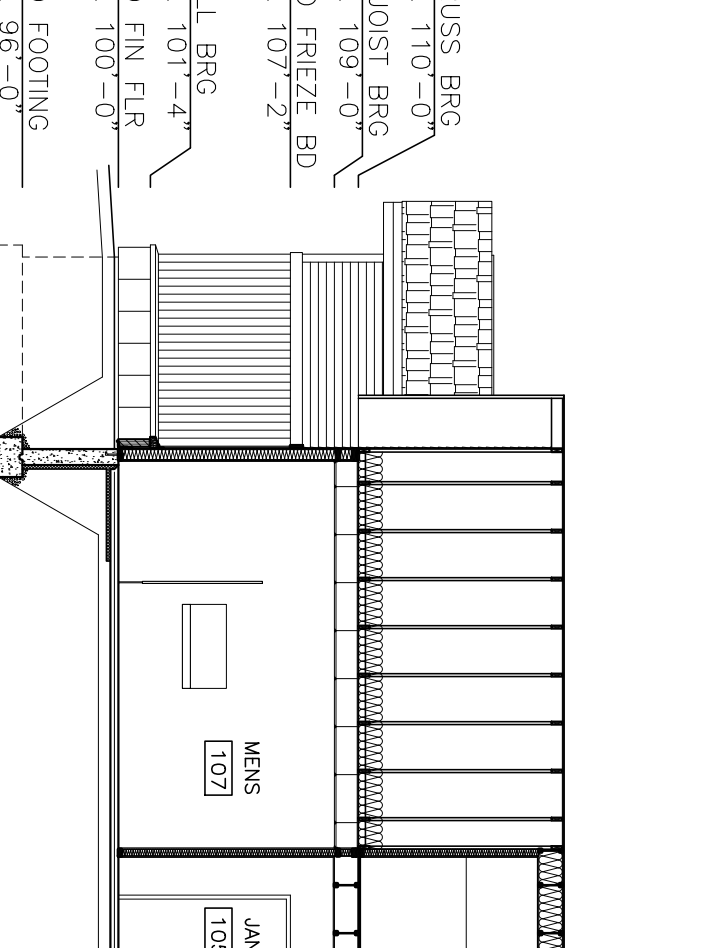
7N BUILDING SECTION
1/8" = 1'-0"
0 4 8 16



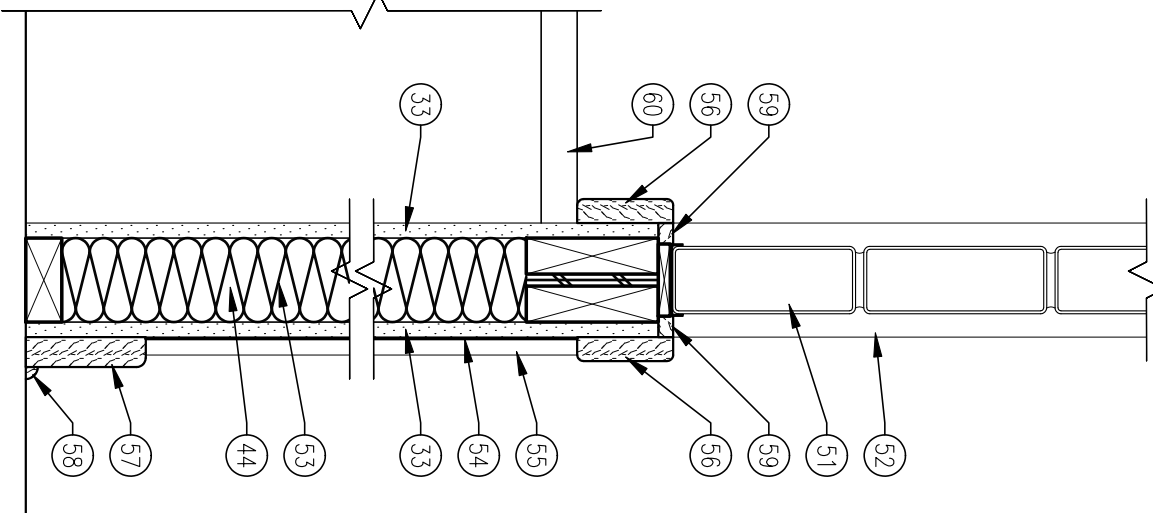
7K BUILDING SECTION
1/8" = 1'-0"
0 4 8 16



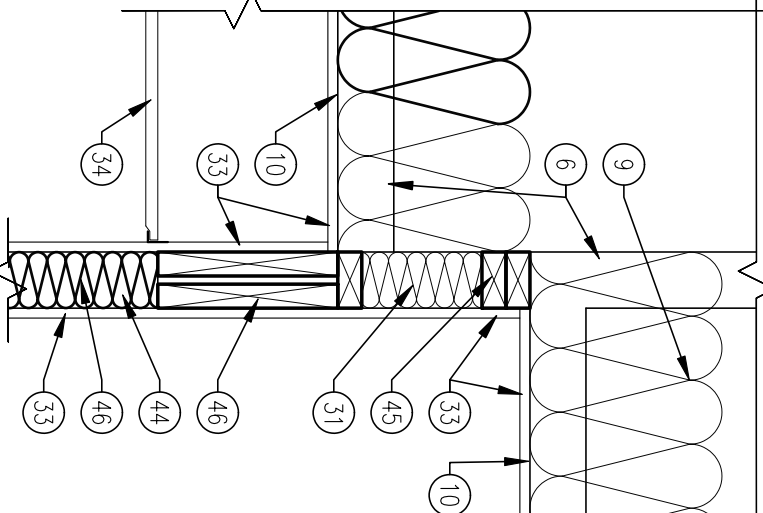
7D LOWER EAVE DETAIL @ LOBBY
1" = 1'-0"
0 6 1 2



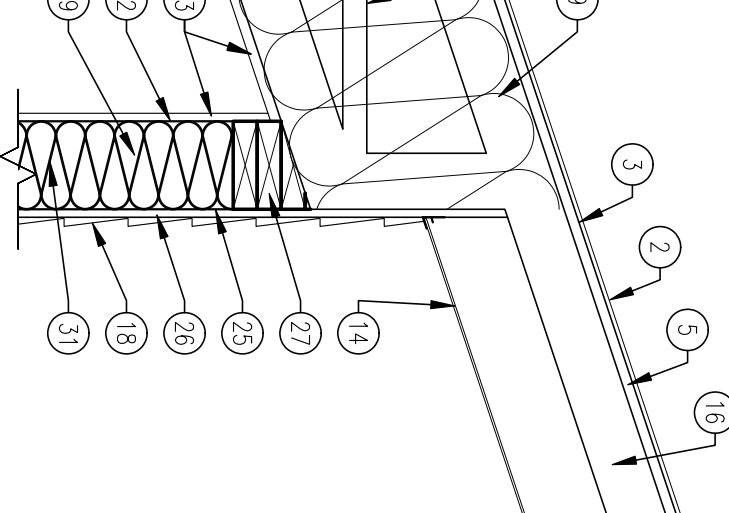
7A BUILDING SECTION
1/8" = 1'-0"
0 4 8 16



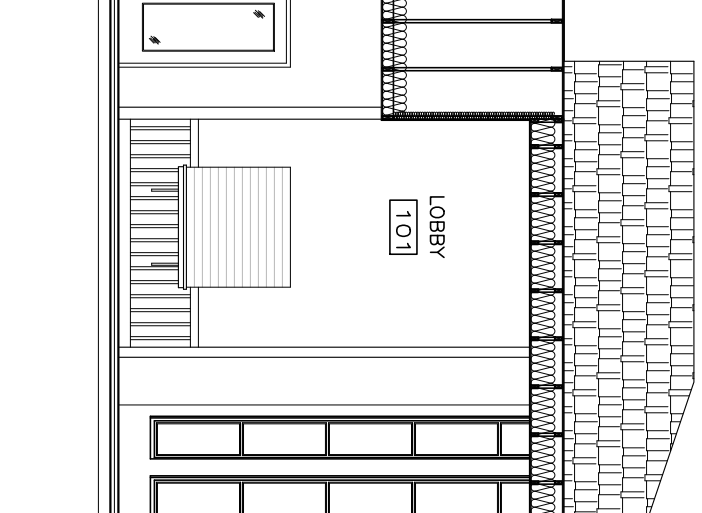
7H GLASS BLOCK WALL DETAIL
1 1/2" = 1'-0"
0 4 8 16



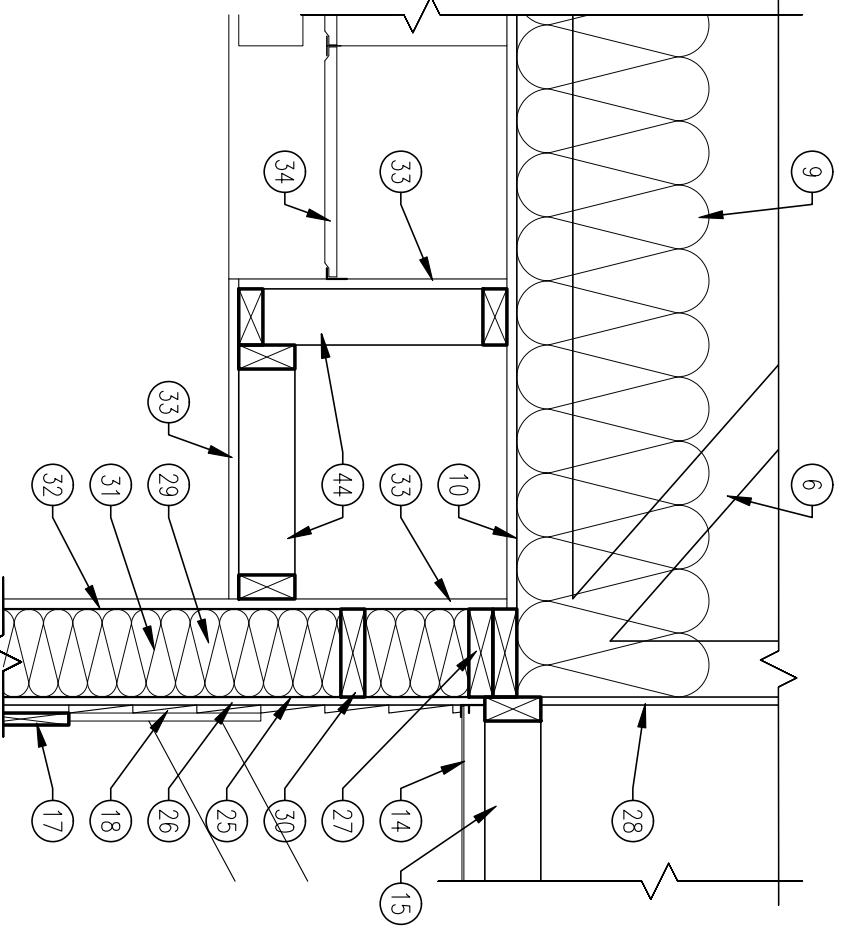
10H BUILDING DETAIL
1" = 1'-0"
0 6 1 2



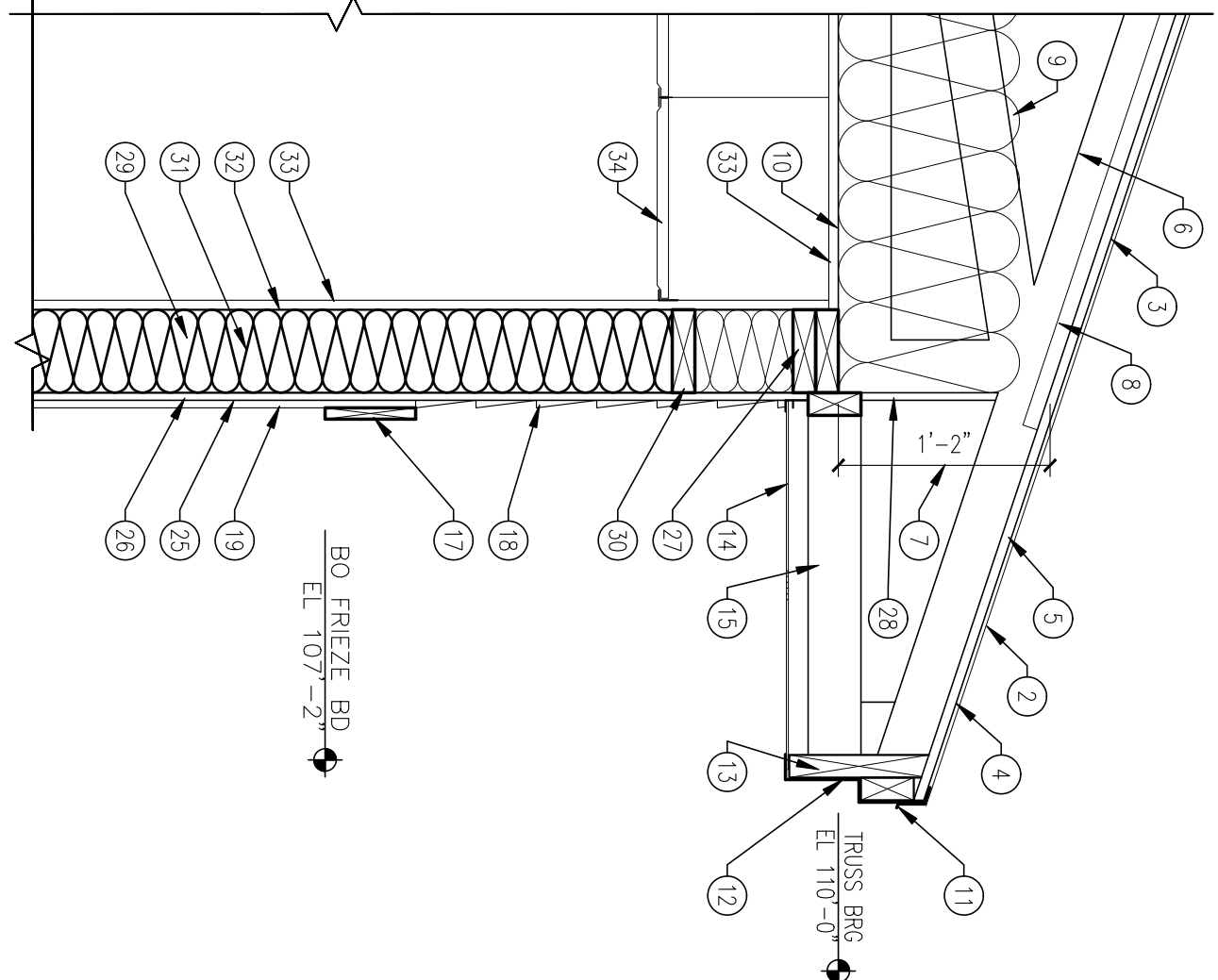
10D UPPER EAVE DETAIL @ LOBBY
1" = 1'-0"
0 6 1 2



10A BUILDING SECTION
1" = 1'-0"
0 6 1 2



15E CONF ROOM SOFFIT DETAIL
1" = 1'-0"
0 6 1 2



13A WALL SECTION
1" = 1'-0"
0 6 1 2

CONSTRUCTION NOTES

- 1) RIDGE VENT.
- 2) ASPHALT SHINGLES.
- 3) 30 # FELT
- 4) ICE & WATER SHIELD ALONG BOTTOM EDGES OF ALL ROOFS & DOWN VALLEYS.
- 5) PLYWOOD ROOF SHEATHING (SEE STRUCT)
- 6) PRE ENGINEERED WOOD TRUSSES OR RAFTERS. PROVIDE TRUSS HANGERS PER MANUFACTURERS RECOMMENDATIONS (SEE STRUCT)
- 7) PROVIDE 1'-2" HIGH ENERGY HEELS ON WOOD TRUSSES.
- 8) Baffle BETWEEN ALL TRUSSES & RAFTERS.
- 9) R-38 BLOW-IN INSULATION.
- 10) VAPOR BARRIER OVER ENTIRE CEILING.
- 11) PREFINISHED METAL DRIP EDGE.
- 12) PREFINISHED METAL FASCIA.
- 13) TREATED 2x SUB FASCIA.
- 14) PREFINISHED METAL VENTED SOFFITS & ACCESSORIES.
- 15) 2x EWE FRAMING.
- 16) EAVE EXTENSION ON TRUSS.
- 17) 1x6 FREEZE BOARD.
- 18) 4" HORIZONTAL SIDING (SEE EXTERIOR ELEVATION)
- 19) 4" VERTICAL SIDING (SEE EXTERIOR ELEVATION)
- 20) SILL SEAL UNDER ALL EXTERIOR BOTTOM PLATES.
- 21) FLASHING.
- 22) PRECAST CONC SILL.
- 23) 1'-4" SQ STONE PANELS W/ SPLIT FACE TEXTURE.
- 24) STEEL ANGLE. SECURE THRU WALL SHEATHING AT STUDS.
- 25) MOISTURE BARRIER
- 26) 1/2" PLYWOOD SHEATHING. 1/2" TREATED PLYWOOD BEHIND STONE.
- 27) DOUBLE 2x6 TOP PLATES.
- 28) PLYWOOD INSULATION BARRIER.
- 29) 2x6 STUDS AT 1'-4" OC.
- 30) 2x FIRE BLOCKS @ 9'-1" AFF IN ALL EXTERIOR & INTERIOR WALLS & A SECOND ROW @ ALL CEILING AREAS HIGHER THAN 10'-0", TYP.
- 31) R-19 WALL BATT INSULATION.
- 32) VAPOR BARRIER.
- 33) 5/8" GYP BOARD.
- 34) ACOUSTICAL CEILING TILE AT 9'-0" AFF.
- 35) TREATED 2x6 BOTTOM PLATE.
- 36) ANCHOR BOLTS (SEE STRUCT)
- 37) CONC FOUNDATION WALL & FOOTING (SEE STRUCT)
- 38) REIN CONC SLAB (SEE STRUCT)
- 39) VAPOR BARRIER UNDER ENTIRE SLAB.
- 40) 2" RIGID INSULATION. RUN DEPTH OF FND WALL & 4'-0" UNDER SLAB.
- 41) GRANULAR FILL.
- 42) GRADE SLOPE AWAY FROM BUILDING.
- 43) COILING DOOR (SEE 16J/H400)
- 44) 2x4 FRAMING.
- 45) DOUBLE 2x4 FRAMING.
- 46) 2x BEAM (SEE STRUCT)
- 47) SOUND BATT INSULATION.
- 48) SCREEN (SEE SPEC)
- 49) PULL DOWN STAR.
- 50) BENCH (SEE --/--)
- 51) 8"x8" GLASS BLOCKS & ANY REQUIRED ACCESSORIES. INSTALL PER MANUFACTURERS RECOMMENDATIONS.
- 52) FINISHED GYP BOARD RETURN.
- 53) SOUND BATT INSULATION.
- 54) DECORATIVE ALUMINUM STRIPS SECURED TO WALL AS TO NOT RIPPLE METAL.
- 55) 5" 3/4 HARDWOOD BOARDS W/ 1/4" RADIUS EDGE.
- 56) 4" 4/4 HARDWOOD BOARDS W/ 1/4" RADIUS EDGE.
- 57) 6" 5/4 HARDWOOD BOARDS W/ 1/2" RADIUS EDGE.
- 58) HARDWOOD SHOE MOLDING.
- 59) 1x HARDWOOD FILLER PIECE.
- 60) PLASTIC LAMINATE COUNTER TOP & BASE CABINETS BELOW.